

하이브리드 포지셔닝 카메라

2메가 36배줌 카메라

2M 36x Zoom Day/Night IR Camera



CNP-5300H

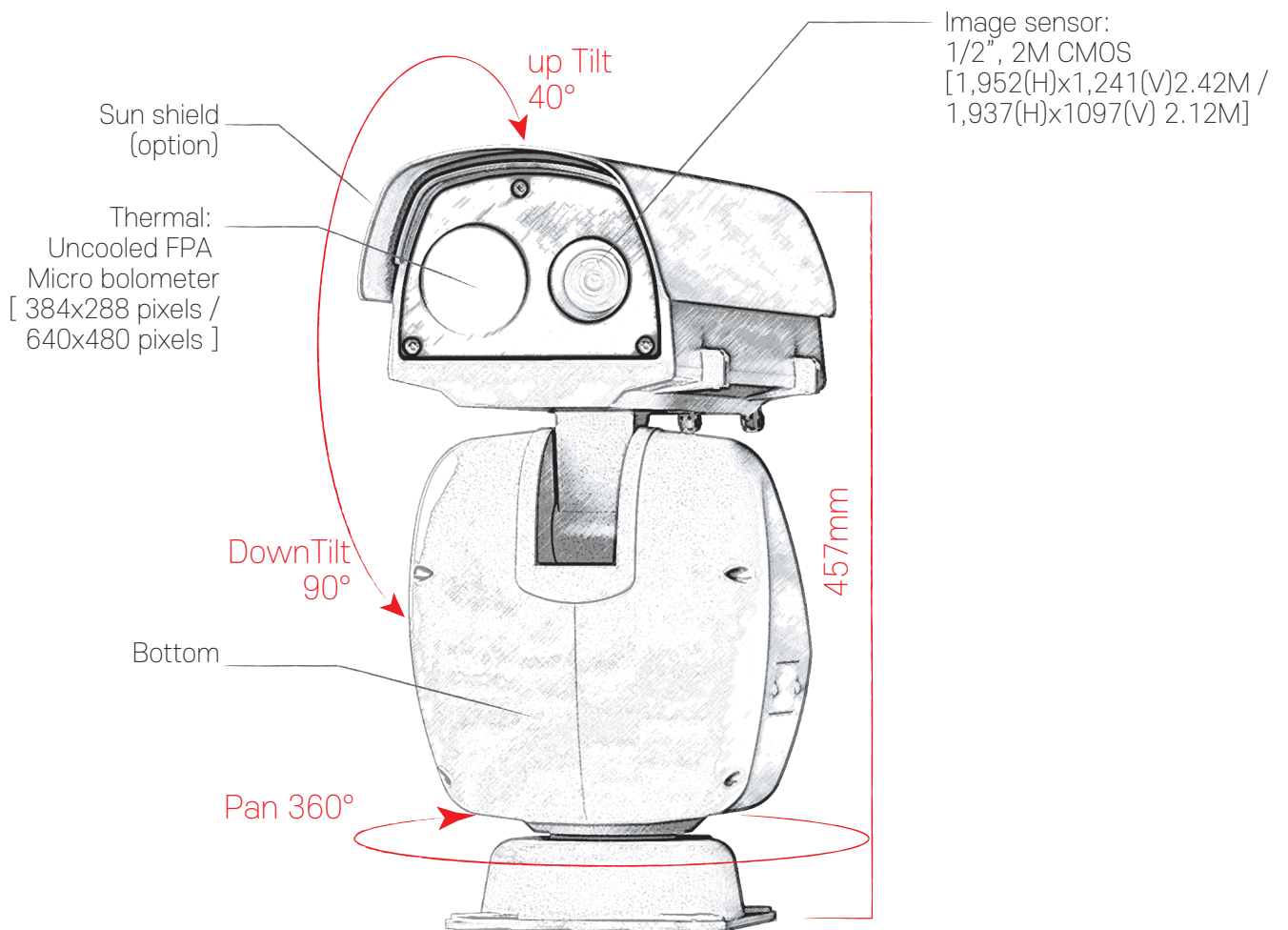
Hybrid (Network + Thermal)

제품 특징 (Product Features)

- 팬 360도 / 틸트 -90도 ~ 40도의 넓은 모니터링이 가능
- 와이퍼 / 히터 기본 탑재
- Visual 1/2" 2M x36 / Thermal 384x288 pixels / 640x480 pixels
- Visual & thermal surveillance in one
- Customize combinations of camera/lens (4.8mm to 250mm)

- Pan 360 degrees / Tilt -90 degrees to 40 degrees wide monitoring is possible
- Built-in wiper / heater
- Visual 1/2" 2M x36 / Thermal 384x288 pixels / 640x480 pixels
- Visual & thermal surveillance in one
- Customize combinations of camera/lens (4.8mm to 250mm)

제품 구성 (product composition)



제품 특징 (key features)

POSITIONING
CAMERA
SERIES

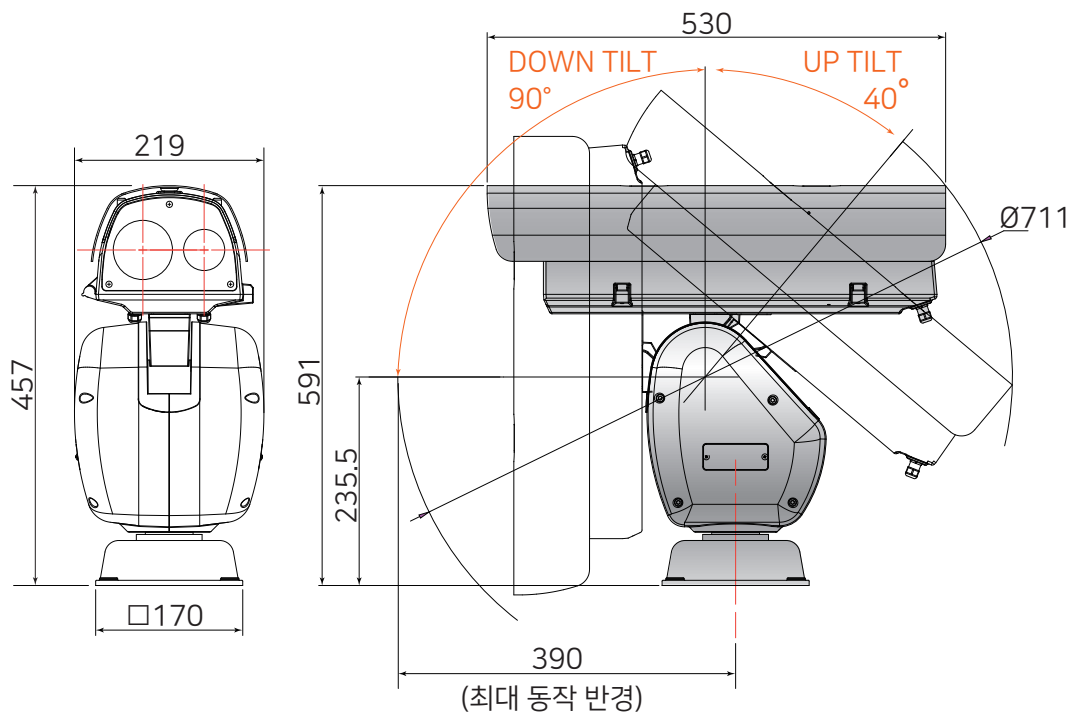
케비스 포지셔닝 시스템은 IP 카메라, HD-SDI 카메라, 열상 카메라, 열화상 카메라를 장착하여 고속회전과 감시가 가능한 시스템으로 각종 재난, 재해 감시 솔루션, 항만/부두 등의 특수 경계지역 감시 솔루션, 불법 주정차 및 쓰레기 투기 단속 등 다양한 형태로 구성이 가능합니다.



**RANGE
OF
USE**

제품 크기 (Product Size)

UNIT mm



※ These specifications are standard and subject to change when designed.
※ 상기 사양은 기본 사양으로 설계시, 변경될 수 있습니다.

제품 사양 (Specifications)

POSITIONING
CAMERA
SERIES

Network Camera

CAMERA	
Image Sensor [Total /Effective Pixels]	1/2", 2M CMOS [1,952(H)x1,241(V)2.42M / 1,937(H)x1097(V) 2.12M]
Min Illumination	Color(1/30s) : 0.15 lux, Color DSS(1/7.5s) : 0.0375 lux BW(1/30s) : 0.01 lux, BW(1/7.5s) : 0.002 lux
Video output	HD:LVDS,EX-SDI Analog SD : VBS(without WDR)
LENS	
Zoom ratio	Optical x36, Digital x2 ~ x32 Zoom
Focal length	f = 6.0 mm ~ 216.0 mm / F1.5 (wide) ~ F4.8 (tele)
CAMERA FUNCTIONS	
Day & Night	Auto/Day/Night/Ext-in
Motion detection / Privacy mask	Off/On(3 positions) / Off/On(24 positions)
ELC	1/30(25)~1/30,000sec, DSS:Off/x2/x4(x8:60 or 50 fps mode only)
Others	WDR/BLC, Defog, DNR, White balance
NETWORK	
Ethernet	10/100BASE-T Ethernet Auto sensing
Video compression	H264, Motion JPEG
Resolution	6Level : 1920x1080, 1280x720, 704x480, 640x352, 320x176, 160x96
Streaming capability	Motion JPEG and H.264 Triple Streaming (Simultaneously)
Max. user access	Live-cast for up to 16 clients

Thermal Camera

CAMERA	
Image Sensor [Total Pixels]	Uncooled FPA Micro bolometer [384x288 pixels / 640x480 pixels]
Pixel size/Spectral range	17µm / 8µm ~ 14µm
Video output	Standard BNC Connector(Composite),HDMI
LENS	
Lens type	Manual, Motorized, Athemalized
Focal length	from 4.8mm to 50mm(250mm)as projects require fixed or zoom lens
CAMERA FUNCTIONS	
Frame frequency	25/30Hz
Gain control	Manual adjustment (0~100)
Motion detection	Off / on (3 zones. Rectangular)
Digital zoom	x1 ~ x4
NETWORK	
Ethernet	10/100BaseT
Video compression	H.264(MPEG-4Part 10/AVC):Main/Baseline/High Motion JPEG
Resolution	720x576, 640x480, 384x288, 720x480, 320x240
Bit rate	CBR or VBR / Motion JPEG : VBR(Bitrate Range : 128K~1M)
Max. user access	Max. 10 users access(TBD)

General 공통 사양

Pan Range / Speed	0° ~ 360° (Endless), 0.025°/sec ~ 120°/sec
Tilt Range / Speed	-90° ~ 40°, 0.025°/sec ~ 40°/sec
Preset Accuracy / Repeat	Max. ±0.1° / Max. ±0.05°
Preset / Speed	Max. 319 Point / Max. 120°/sec(Pan)
Scan / Group / Pattern	8 / 6 / 4
Fan / Heater / Wiper	Built-in Fan / Heater / Defrost Heater / Wiper
Power Source	AC220V
Power Consumption	최대26W
Operating Temperature	-40°C ~ 55°C (-40°F ~ 131°F) / Up to 90%RH
Unit Dim / Usable Dim	W x H x D 단위 mm : 219 x 510 x 530 / 154 x 112 x 296.5
Unit / Load Weight	제품 : 11kg / 적재 최대(Max 7kg)
Color/material	Ivory, Option / Aluminum die-casting
Certificate/IP Rating	IP 66

11kg

※ Design and Specification can be different between latest production, Please contact out sales for update.

· IP66 (Ingress Protection, 국제 방진/방수 규격)은 제품이 출하조건으로 정확히 설치 및 조립 되었을 때 적용됩니다.